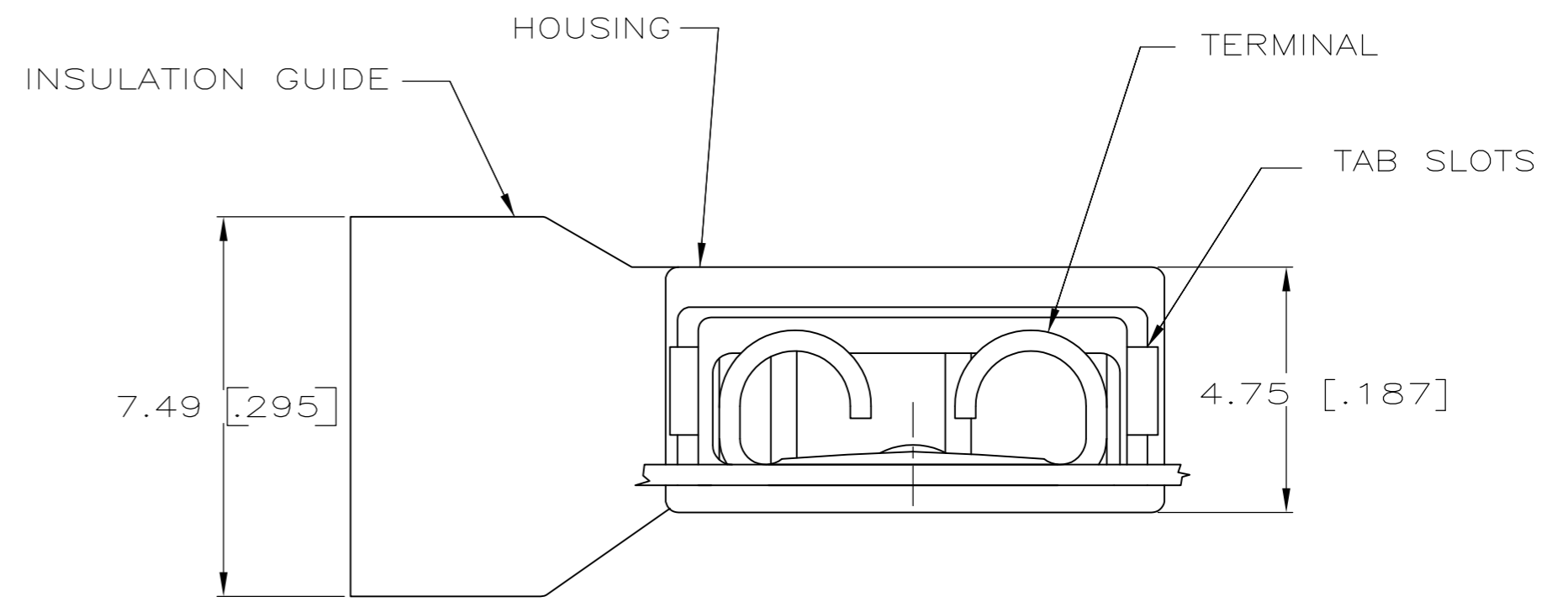
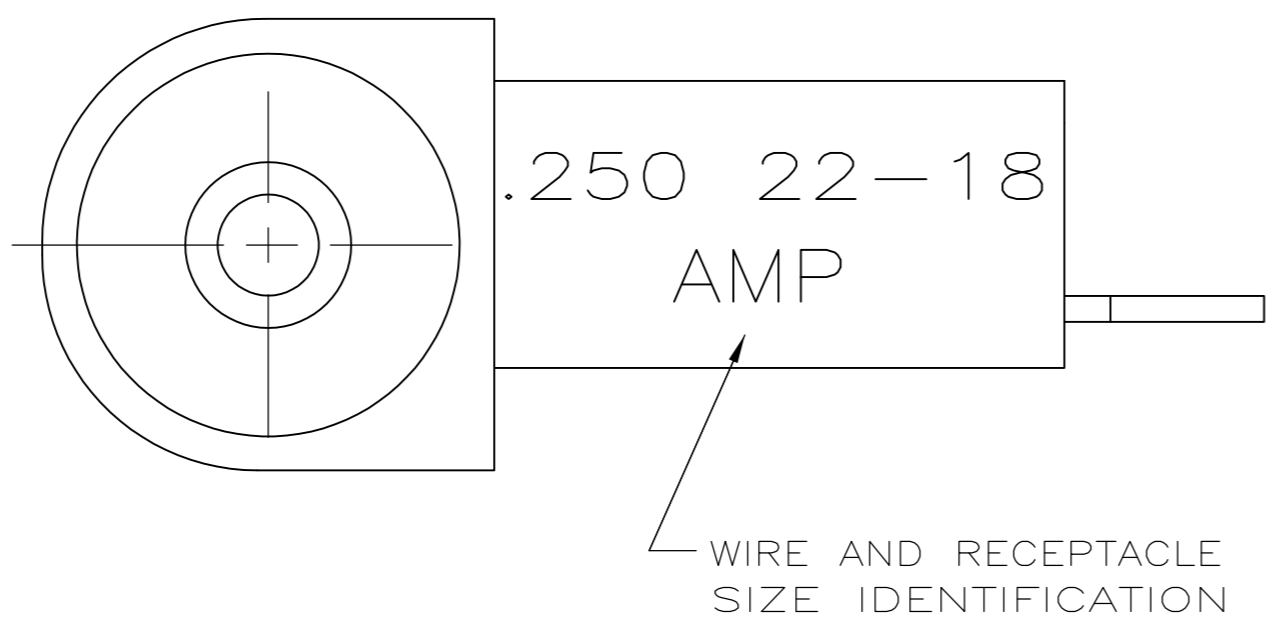
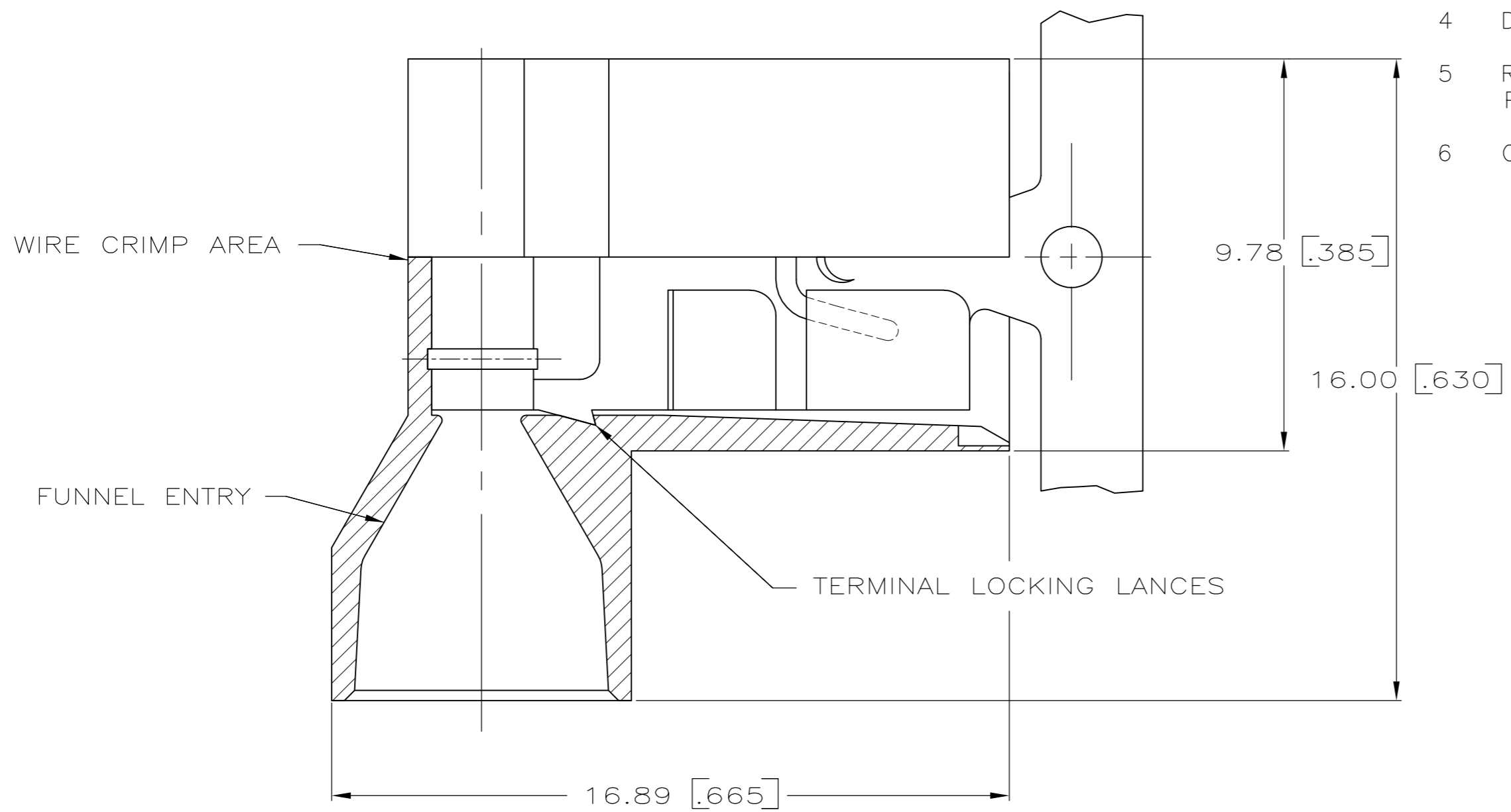


THIS DRAWING IS UNPUBLISHED. RELEASED FOR PUBLICATION  
 © COPYRIGHT - By - ALL RIGHTS RESERVED.

LOC		DIST		REVISIONS			
P	LTR	DESCRIPTION		DATE	DWN	APVD	
AF	50	G		REVISED PER ECR-13-004343	30JUL13	KH KR	

- 1 FITS 0.81±0.025 X 6.35 [.032±.001 X .250] TAB
- 2 WIRE SIZE: 0.3 – 0.9mm<sup>2</sup> [22–18 AWG] (STRANDED ONLY)  
 STRIP LENGTH: ONE WIRE 7.94 [.312]  
 TWO WIRES 8.51 [.335]
- 3 INSULATION SIZE: 5.84 [.230] MAX DIA.
- 4 DIMENSIONS IN BRACKETS ARE IN INCHES OR AWG.
- 5 REFER TO PRODUCT SPEC 108-2043 FOR PERFORMANCE DATA.
- 6 CONTINUOUS STRIP



RED TRANSLUCENT FINISH	6/6 NYLON MATERIAL	TIN FINISH	BRASS MATERIAL	2-520856-2 PART NO
THIS DRAWING IS A CONTROLLED DOCUMENT.		DWN JR RUTH 8/25/86	TE Connectivity	
DIMENSIONS: mm [INCHES]		CHK G YETTER 8/25/86	NAME	
TOLERANCES UNLESS OTHERWISE SPECIFIED:		APVD K RANDOLPH 9/2/86	.250 SERIES ULTRA-FAST FLAG RECEPTACLE ASS'Y	
0 PLC ± -	1 PLC ± -	PRODUCT SPEC 108-2043	SIZE A2	CAGE CODE 00779
2 PLC ± -	3 PLC ± 0.38 [.015]	APPLICATION SPEC 114-2123	DRAWING NO C=520856	RESTRICTED TO -
4 PLC ± -	ANGLES ± -	WEIGHT -	SCALE NTS	SHEET 1 of 1
MATERIAL SEE ABOVE	FINISH SEE ABOVE	CUSTOMER DRAWING	REV G	